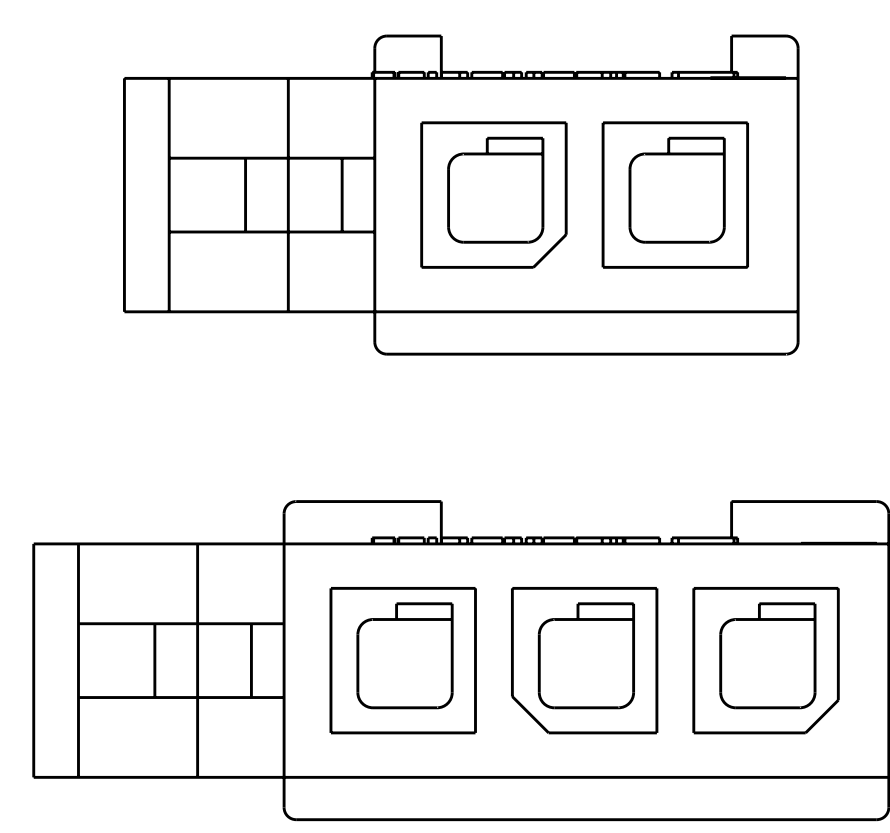
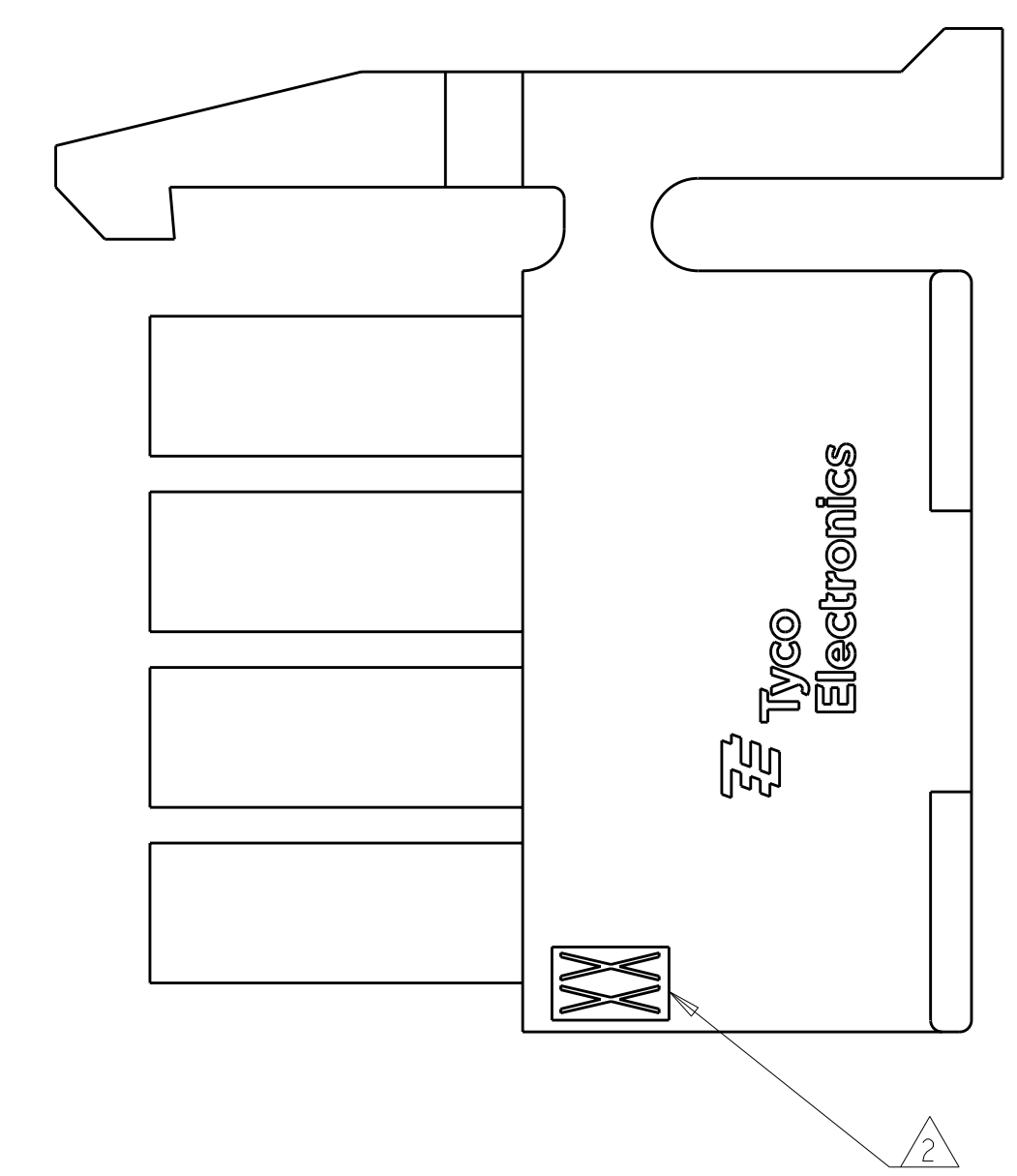


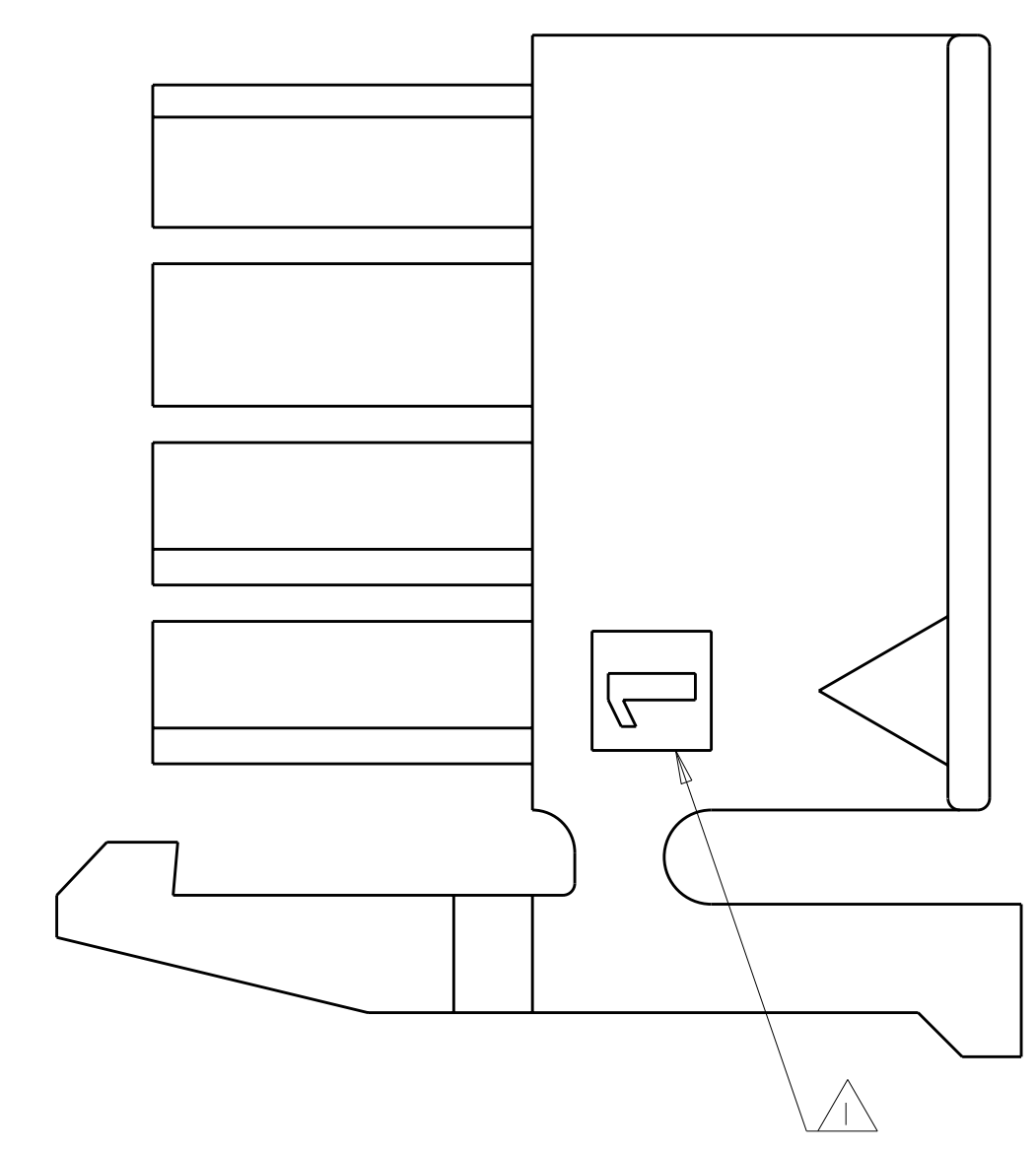
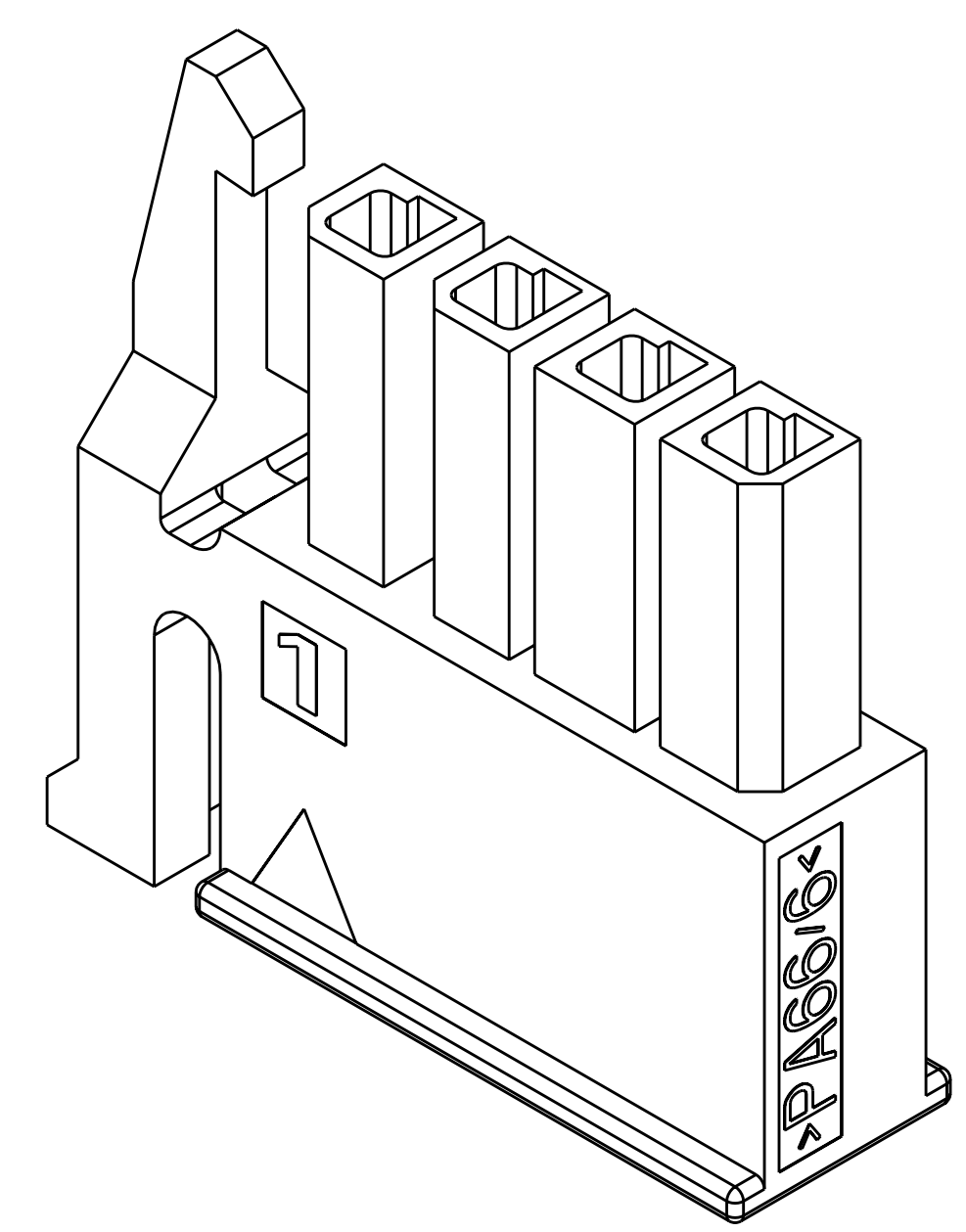
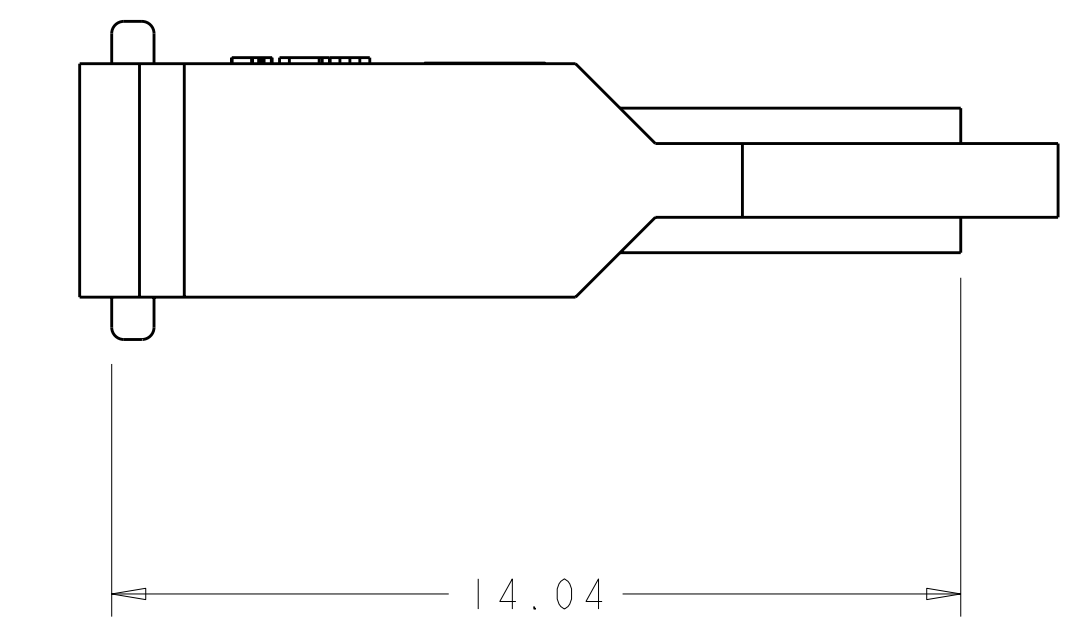
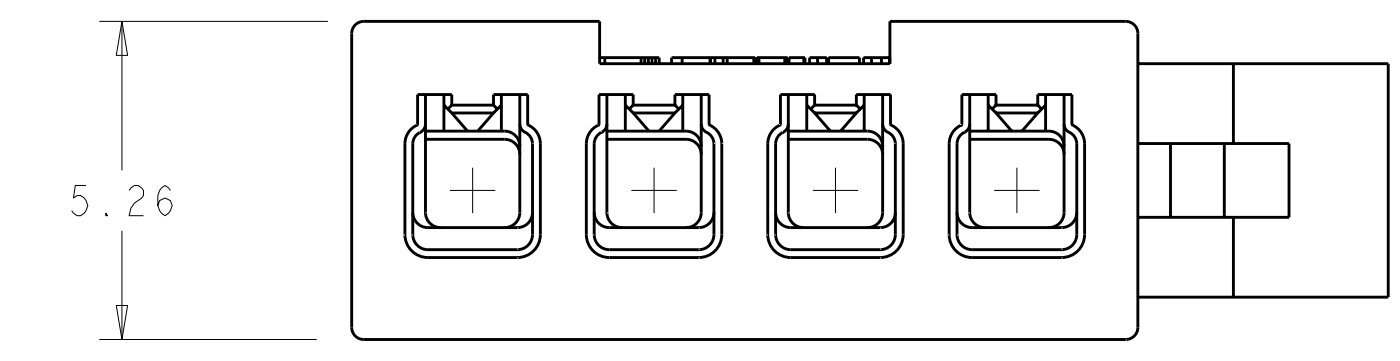
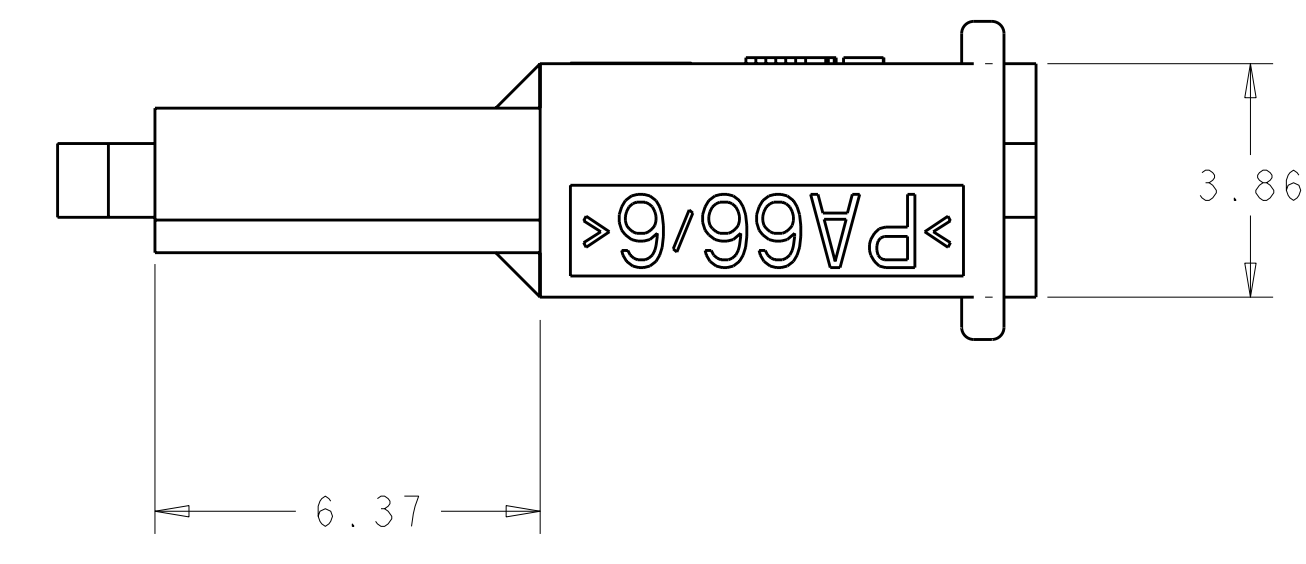
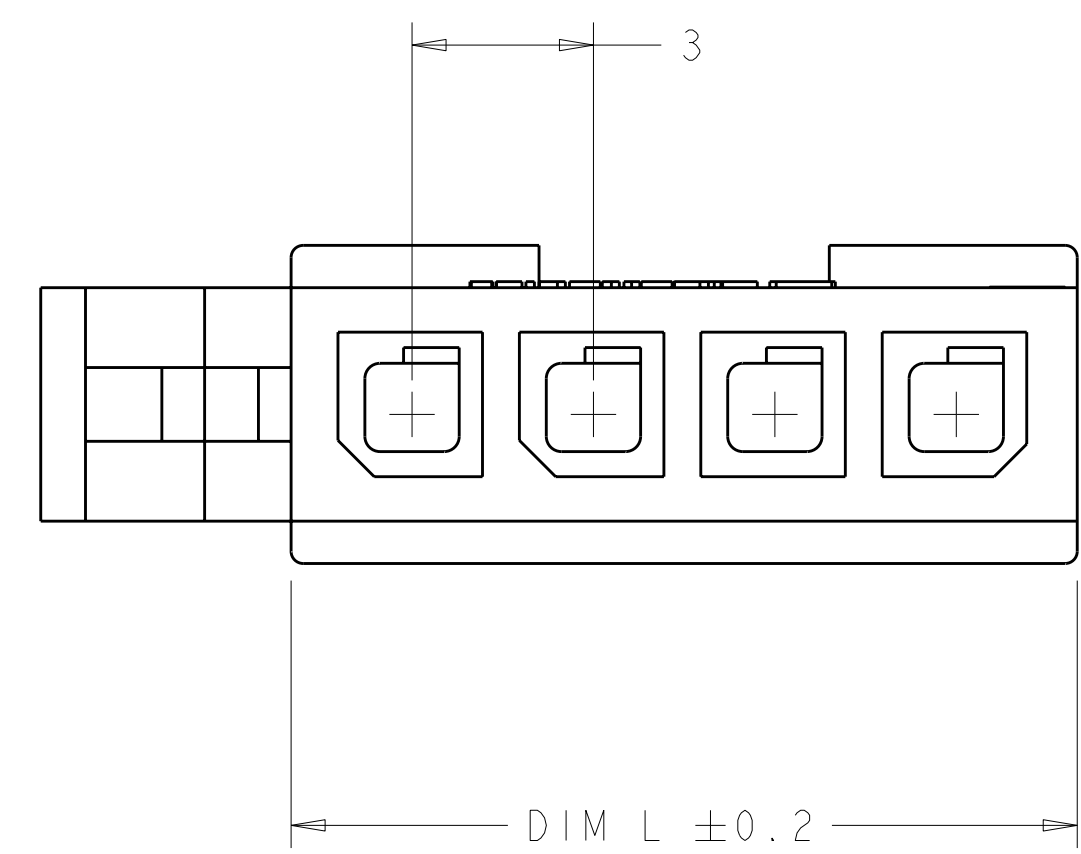
LOC	DIST	REVISIONS					
CM	00	P	LTB	DESCRIPTION	DATE	DWN	APVD
		A		ECO-08-006839	26MAR2008	KW	CC
		A1		ECO-08-009617	17APR2008	KW	CJ



KEYING BY POSITION SIZE



① CIRCUIT 1 IDENTIFIER, LOCATED APPROXIMATELY AS SHOWN.  
 ② LAST CIRCUIT IDENTIFIER, LOCATED APPROXIMATELY AS SHOWN.



VOLUME mm <sup>3</sup>	DIM L	NO OF POS.	PART NO.
434.05	13	4	2029102-4
353.32	10	3	2029102-3
272.6	7	2	2029102-2

DIMENSIONS: mm		TOLERANCES UNLESS OTHERWISE SPECIFIED: 0 PLC ± 1 PLC ± 2 PLC ±0.13 3 PLC ± 4 PLC ± ANGLES ±1° FINISH		DWN R. WHITAKER 26MAR2008 CHK C. JONES 26MAR2008 APVD C. JONES 26MAR2008		Tyco Electronics Harrisburg, PA 17105-3608	
MATERIAL: NYLON UL94V-0 NATURAL		PRODUCT SPEC: APPLICATION SPEC: WEIGHT: CUSTOMER DRAWING		NAME: RECEPTACLE HOUSING, SPECIAL, SINGLE ROW, MICRO MATE-L-LOK(TM)		RESTRICTED TO: SIZE: CAGE CODE: DRAWING NO: A1 00779 C=2029102	
SCALE: 8:1				SHEET 1 OF 1		REV A1	

